



**METER-MIX DISPENSE
EQUIPMENT**

METERING & DISPENSING EQUIPMENT FOR THE PROFESSIONAL CONTRACTOR

PCH GMP-075 "BIG PRO"



APPLICATIONS

- JOINT FILLING
- CONCRETE RESTORATION
- LARGE JOINT SEALING
- LARGE SPALL REPAIR
- ANCHORING
- FLOOR COATING

MATERIALS

- POLYUREAS
- UNFILLED URETHANES
- UNFILLED EPOXIES

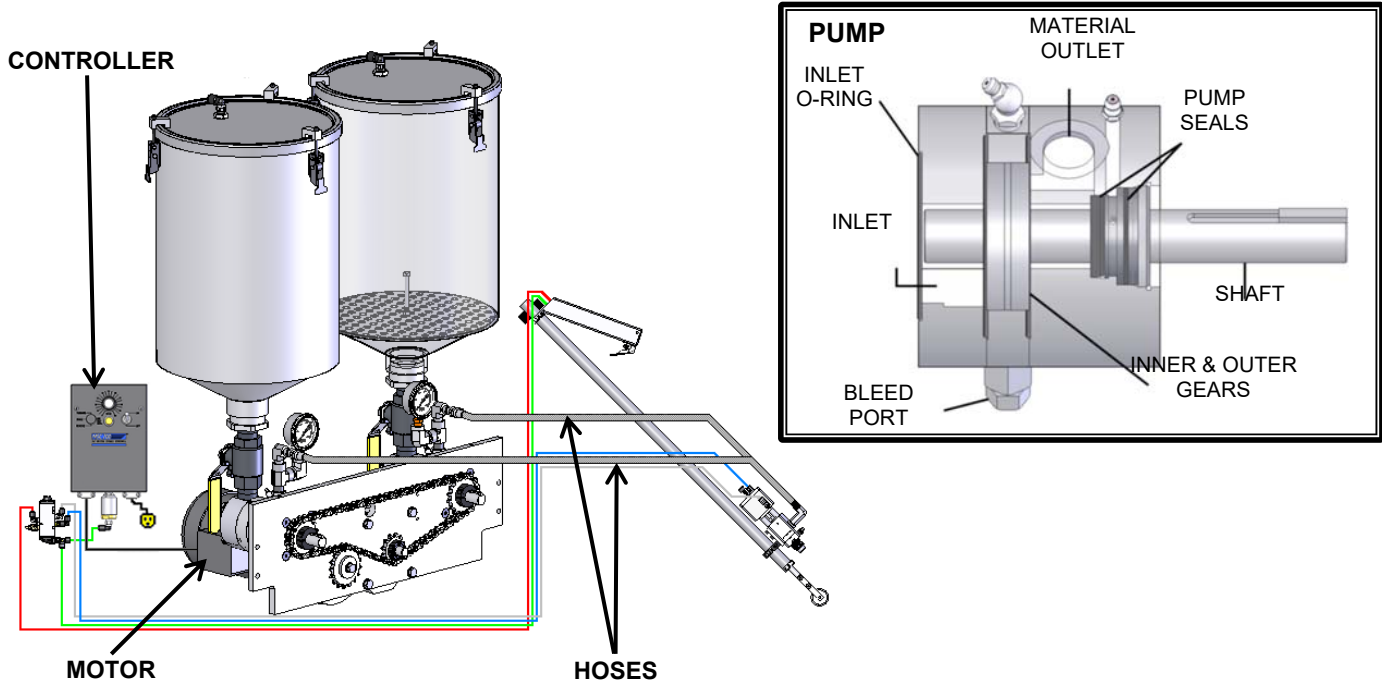
FEATURES & BENEFITS

- Portable, Reliable, Rugged Design
- Easy to Operate & Maintain
- Stainless Steel Construction
- Changeable Ratios
- 9 Gallon Stainless Steel Tanks
- 3/4 HP DC Drive Motor
- Automatic Dispense Manifold
- Electric/pneumatic Powered
- Backed by AST Warranty
- Pumps Non-Abrasive Materials
- Fixed Ratios of 1:1 to 4:1
- Continuous Flow Up to 1.0 GPM
- Fluid Pressures Up to 750 PSI
- Viscosities Up to 10,000 CPS
- Variable Flow Rate
- Uses AST GMP Metering Pumps



PCH GMP-075

PRODUCT SPECIFICATIONS



MODEL	PCH GMP-075	FRAME	1½" powder coated tubular steel
MACHINE TYPE	Fixed ratio/metering/dispensing; GMP gear	CONTINUOUS OUTPUT	Up to 1.0 gallons per minute
RATIO RANGE	1:1 to 4:1	VISCOSITY RANGE	100 CPS to 10,000 CPS
GAUGES	(2) glycerin filled, 600 psi	AIR DRYER	Desiccant cartridge
STANDARD CONTROLS	On/Off; variable speed	SERVICES REQUIRED	120 V. / 15 AH, 5 AMP; 90 psi, 2 cfm
CONTAINERS	9 gallons each side, stainless steel, 16 gauge	APPLICATORS	AST hand held; manual or automatic dual port manifold
MOTOR	3/4 HP DC drive, 90 volt	MIXER	Disposable, plastic, motionless
METERING PUMPS	(2) heavy duty AST GMP gearotor™	HOSES	Teflon core braided stainless steel, 3/8" x 15'
DIMENSIONS	36" L x 27" W x 40" H 200 lbs. empty, shipping weight 250 lbs.	OPTIONS	<ul style="list-style-type: none"> ➤ Heated tanks ➤ Power inverter ➤ Air purge ➤ Generator mount ➤ Factory installed aspirator ➤ Spray assembly

ADHESIVE SYSTEMS TECHNOLOGY CORP.

1600 FREEWAY BLVD. • BROOKLYN CENTER, MN 55430

Phone: 763-592-2060 • WWW.AST-CORP.NET