

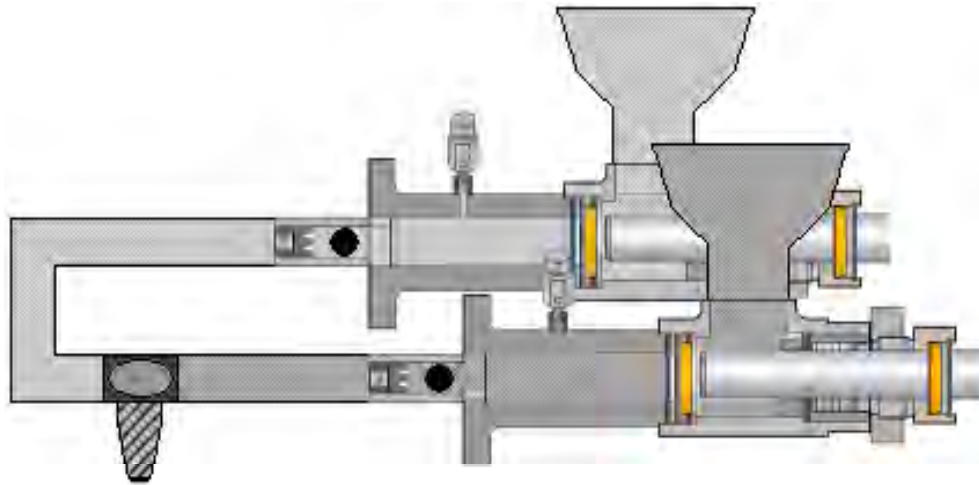
PH RMP 410, 424, & 624

INJECTION, POTTING, & GENERAL DISPENSING USING
FILLED AND UNFILLED EPOXIES AND URETHANES



FEATURES AND BENEFITS

- Portable or Bench Mounted
- Positive displacement AST rod metering pumps
- 1/4" - 1.5" rod diameter
- 1cc - 750cc shot per stroke
- 2.5 gal. - 7.5 gal. stainless steel supply tanks
- Shot adjustment: 0 - 100% of full stroke
- Automatic fixed an/or hand-held dispense manifold
- Within 2% of Shot
- 1:1 - 12:1 preset ratio range
- Viscosity: 1cps - 1,000,000cps
- Pneumatic or electric controls
- Up to 1 gpm continuous output
- Handles abrasive materials
- Up to 30 cycles per minute



PRODUCT SPECIFICATIONS

	410	424	624
MODEL	Portable or Bench Mounted		
PUMPS	Positive Displacement AST Rod Metering Pumps		
PUMP SIZE	Up to 5/8" Dia. x 6" Stroke	Up to 5/8" Dia. x 6" Stroke	Up to 5/8" Dia. x 6" Stroke
SHOT SIZE	1cc – 40cc	4cc – 500cc	6cc – 750cc
DRIVE SYSTEM	4" – 6" Stroke	6" Stroke	6", 9" or 12" Stroke
CONTINUOUS OUTPUT	Up to .4 gpm	Up to .8 gpm	Up to 1 gpm
SHOT ADJUSTMENT	0 – 100% of Full Stroke		
CYCLE RATE	Up to 30 Cycles Per Minute		
ACCURACY	To Within 2% of Shot		
PRESET RATIO RANGE	1:1 – 10:1	1:1 – 12:1	1:1 – 12:1
VISCOSITY	1cps – 500,000cps	1cps – 500,000cps	1cps – 1,000,000cps
POWER FACTOR	5:1 – 30:1		
SUPPLY CONTAINER	2.5 Gal. – 5 Gal. S/S	2.5 Gal. – 5 Gal. S/S	2.5 Gal. – 7.5 Gal. S/S
DISPENSING MANIFOLD	Manual or Automatic/Straight Shut Off or Snuff Back/Fixed Mounted or Hand Held		
CONTROLS	Control Cabinet/Fully Pneumatic/ON-OFF Switch/Pressure Gage/Operates @ 90psi		
HOSE	6' – 15' Stainless Steel Braided Teflon Standard		

OPTIONS:

- Foot Control
- Material Temperature Control
- Material Agitation
- Pressurized Material Day Tanks
- Material Low Level Sensors
- Automatic Material Refill System
- Part Pallets
- Material Recirculation
- Automatic Purge
- Parts Counter
- Variable Ratio
- Electric Drive
- Air Over Hydraulic
- Material Transfer Pumps
- Additional Shot Sizes
- Vacuum De-Air
- PC Controllers
- XYZ Motion
- Automated Dispense Lines
- Cure Ovens

ADHESIVE SYSTEMS TECHNOLOGY CORP.
 9000 Science Center Drive, New Hope, MN 55428
 Phone: 763-592-2060 • Fax: 763-592-2075
 www.ast-corp.net • ast@ast-corp.net