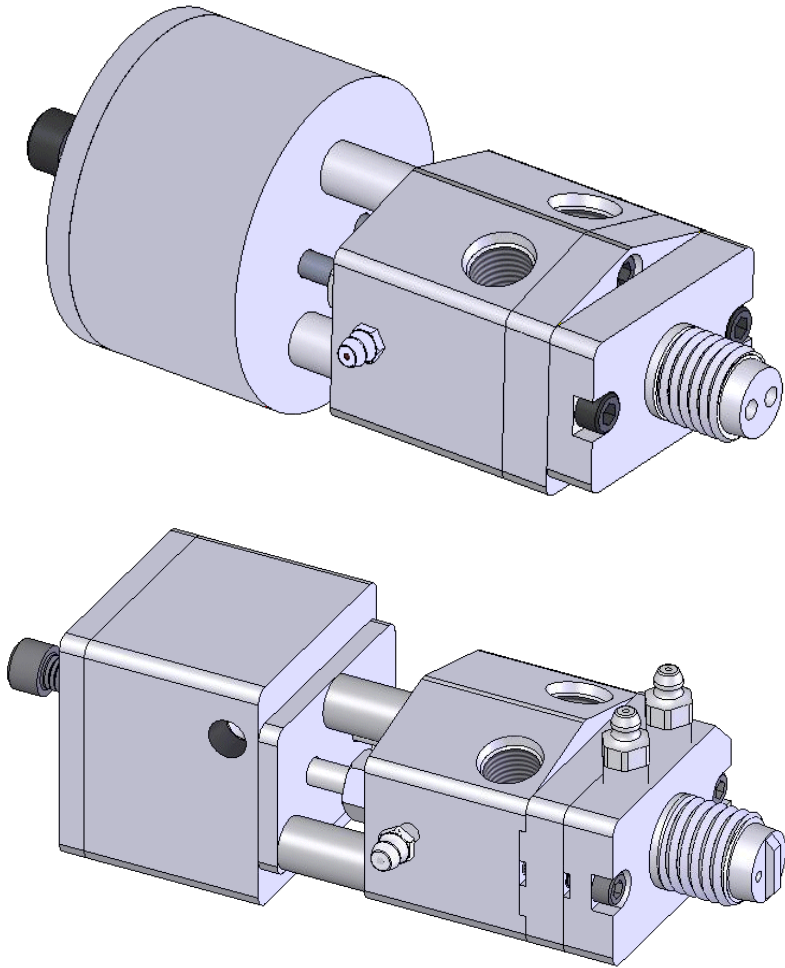




**ADHESIVE SYSTEMS
TECHNOLOGY CORP**

METER-MIX DISPENSE EQUIPMENT

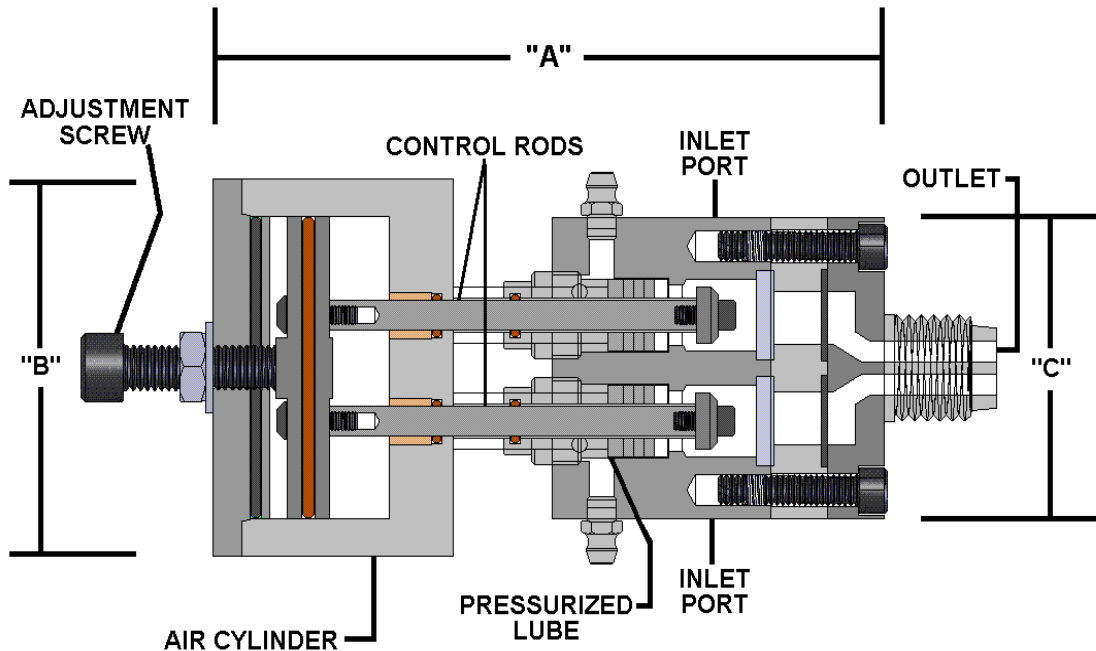
AUTOMATIC DUAL COMPONENT DISPENSE VALVE



FEATURES AND BENEFITS

- Reliable, simple rugged valve
- High volume flow with replaceable manifold
- Pressure lube pack for longer seal & shaft life
- Pneumatic operated/ air to open/close
- Quick, easy fixture mounted and/or hand-held
- Teflon packings and soft seat
- Adjustable stroke length
- 1 cps to 2,500,000 cps materials
- Stainless steel optional
- Straight shut-off valve
- Circulation optional
- Adapts easily to automation

VALVE CROSS-SECTION



VALVE TECHNICAL DATA

DESCRIPTION	55694	55991	56137
INLET PORT	3/4" - 16 SAE	3/4" - 16 SAE	3/4" - 16 SAE
OUTLET PORT	7/8"-9, 1" NPT, 1-5/16"-12		
RE-CIRC. PORT	3/4"-16	N/A	N/A
ROD DIAMETER	1/4"	1/4"	1/4"
WORKING PRESSURE	2,000 PSI	2,000 PSI	2,000 PSI
SEALS/ O-RINGS	URETHANE, UHMW, EPDM, VITON, BUNA, & SILICONE		
A	8-1/4" - 8-1/2"	7-1/4"	7-1/4"
B	3" DIAMETER	3" DIAMETER	3" DIAMETER
C	2-1/2" x 2"	2-1/2" x 2"	2-1/2" x 2"