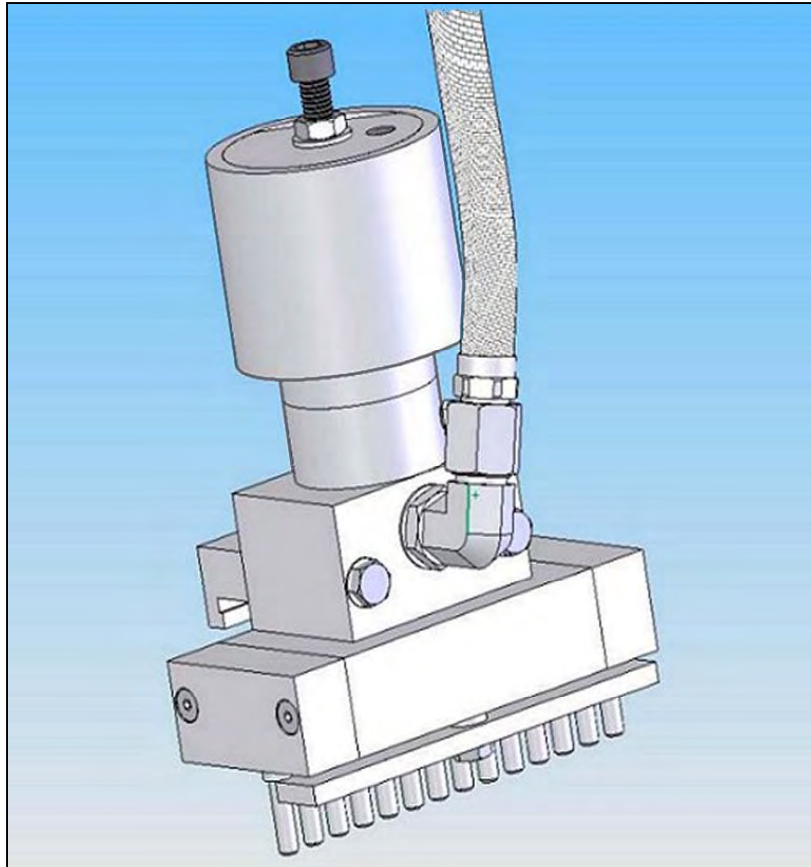


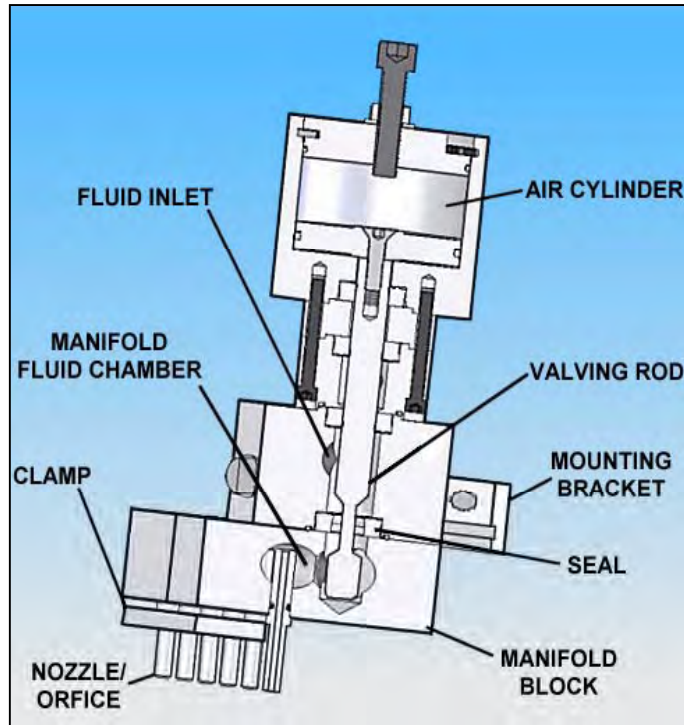
## MULTI-PORT EXTRUDER VALVE



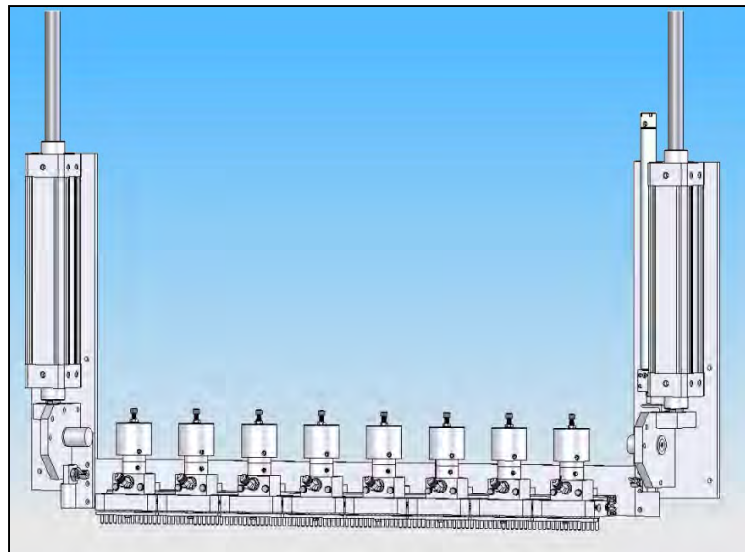
### FEATURES AND BENEFITS

- Modular design
- Snuff-Back valving
- Quick release nozzle replacement
- Manifold mount with vertical positioning
- Quick release valve mount
- Interchangeable orifice diameters & lengths
- High pressure dispensing
- Hand held or fixture mounted
- Self purging nozzles
- Manifolding system
- Available in a variety of sizes
- PLC controllable

# DISPENSE VALVES



**MANIFOLD SIZES: 4" – 6" – 8" – 12"**  
MANIFOLD MOUNT WITH VERTICAL POSITIONS  
ORIFICE DIAMETER & SPACING AVAILABLE UPON REQUEST  
MANIFOLD ASSEMBLY - 90° ROTATIONAL



AST provides complete turnkey systems including ovens, presses, conveyers, positioning, & fixtures

**ADHESIVE SYSTEMS TECHNOLOGY CORP.**  
9000 Science Center Drive, New Hope, MN 55428  
Phone: 763-592-2060 • Fax: 763-592-2075  
www.ast-corp.net • ast@ast-corp.net