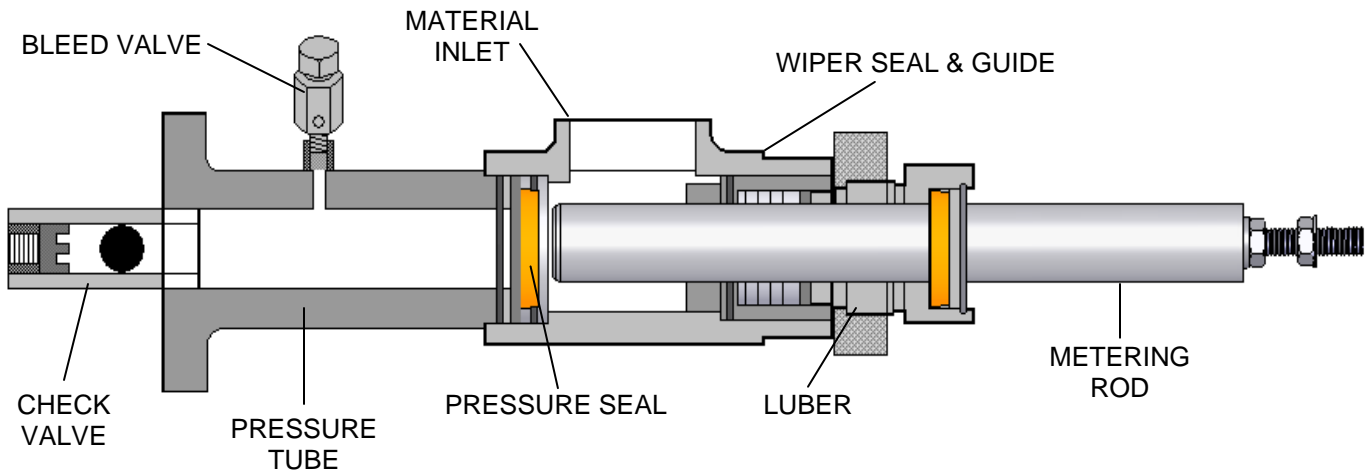




**ADHESIVE SYSTEMS
TECHNOLOGY CORP**

**METER-MIX DISPENSE
EQUIPMENT**

BASIC CONCEPT OF RMP™ METER



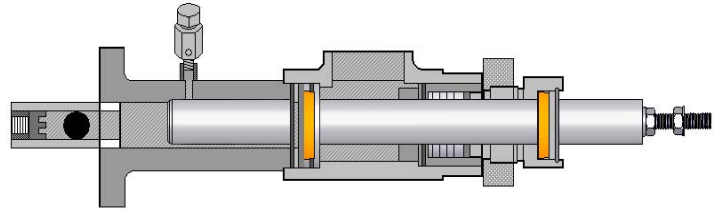
RMP™ FEATURES:

- Positive displacement metering
- Drive cylinder with flow control valving and fluid pressure adjustable up to 5,000 psi
- Modular concept to allow for system design and application
- Fixed ratio with quick ratio change in multiples from 1:1 to 20:1
- Power drive can be air, hydraulic or electric
- Low shear metering design
- Only two wearing parts
- Ratio check and air purge valves
- Simple, accessible controls allow continuous flow or preset material shots

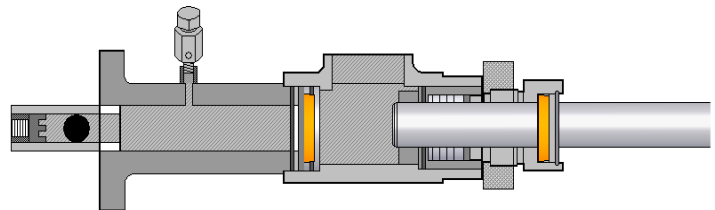
RMP™ BENEFITS:

- Precise ratios and metering
- Allows regulation of both fluid pressure and flow to application requirements
- Design capabilities enable use of a wide range of volumes and ratios (Ex: 1 cc to 1 gal per stroke)
- Metering rod diameters and/or stroke lengths may be easily changed to suit ratios and shot volumes required
- Enables system to handle shear sensitive materials (Ex: glass balloons)
- Quick material check and positive air removal
- Safety and reduced wear; pressure only during application

DISPENSING

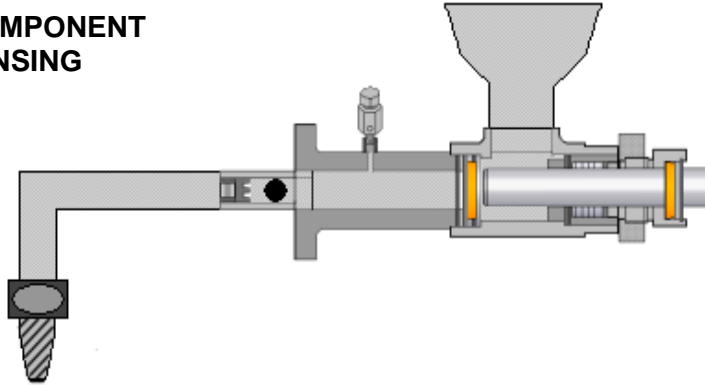


RECHARGING

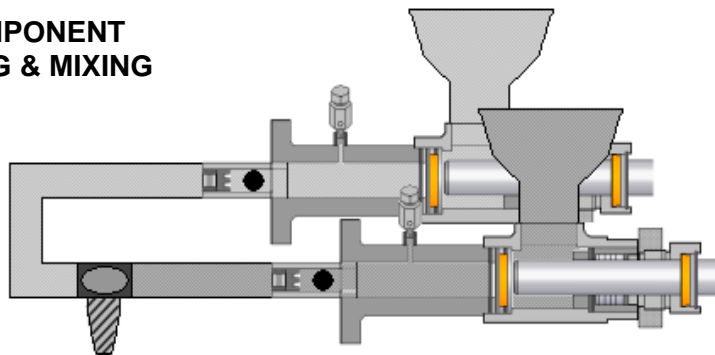


TYPICAL APPLICATIONS

SINGLE COMPONENT DISPENSING



TWO COMPONENT DISPENSING & MIXING



NOTE:

Meters may be ganged for multi component materials or application points if required.

A variety of dispense head valves and controls are available to fit specific tasks either on production line or for portable applications.

ADHESIVE SYSTEMS TECHNOLOGY CORP.
9000 Science Center Drive, New Hope, MN 55428
Phone: 763-592-2060 • Fax: 763-592-2075
www.ast-corp.net • ast@ast-corp.net