

PH RMP-1048

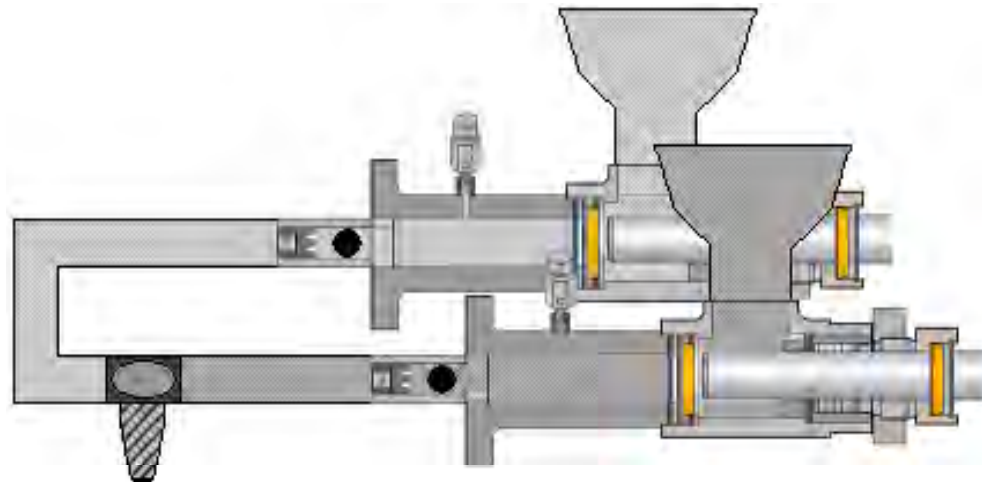
**LARGE VOLUME, METERING, DISPENSING, MOLDING & FILLING USING
TWO PART URETHANES, POLYUREAS, ELASTOMERS, FOAMS & EPOXIES**



FEATURES AND BENEFITS

- Uses AST RMP metering pump
- Air cylinder diameter up to 4"
- Up to 5 gpm continuous output
- Automatic fixed and/or manual manifold using static or dynamic mixers
- Pneumatic powered with hydraulic option
- 1:1 – 15:1 preset ratio range
- 8" – 12" diameter drive cylinder
- Up to 24" stroke
- Viscosities up to 2,000,000 cps
- Fluid pressures up to 3,000 psi
- Portable

PRODUCT SPECIFICATIONS



MODEL	PH RMP-1048	ACCURACY	Within 1% of Shot
PUMPS	Positive Displacement AST Rod Metering Pumps	RATIO RANGE	1:1 – 15:1
PUMP ROD SIZES	¼" TO 5/8" Dia.	VISCOSITY	1cps – 2,000,000cps
SHOT SIZE	1cc – 70cc	POWER FACTOR	1:1 – 30:1
DRIVE SYSTEM	Pneumatic w / Hydraulic option	SUPPLY CONTAINER	2.5 Gal. – 7.5 Gal.,; Stainless steel pressure tanks
CONTINUOUS OUTPUT	Up to 5 gpm	DISPENSING MANIFOLD	Automatic fixed and/or hand held
SHOT ADJUSTMENT	0 – 100%	CONTROLS	Pneumatic standard Hydraulic optional
CYCLE RATE	Up to 20 Cycles per Minute		

OPTIONS:

- Pressure tanks
- Heated tanks
- Stainless steel
- PLC

ADHESIVE SYSTEMS TECHNOLOGY CORP.
9000 Science Center Drive, New Hope, MN 55428
Phone: 763-592-2060 ▪ Fax: 763-592-2075
www.ast-corp.net ▪ ast@ast-corp.net