

## BH RMP-210/310

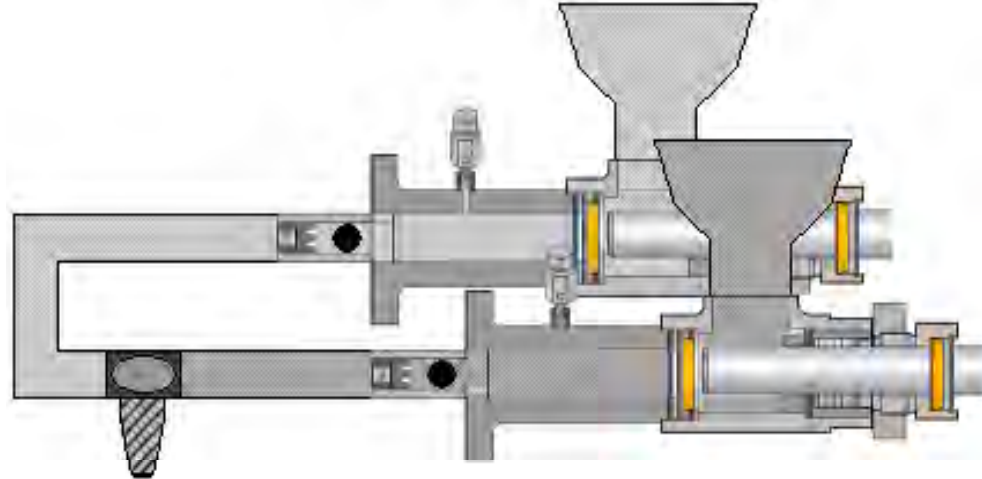
SMALL SHOT TWO PART METER & DISPENSING, POTTING, SMALL SHOT DISPENSING  
AND MULTI DISPENSING AT ONE TIME USING URETHANES AND EPOXIES



### FEATURES AND BENEFITS

- Uses AST RMP metering pump
- Adjustable up to 20 cycles per minute
- ½ gal. – 5 gal. stainless steel pressure tanks
- 2" – 3" dia. x 4" stroke drive cylinder
- Automatic fixed or hand-held dispense manifold
- Pneumatic powered/air over oil
- Fluid pressures up to 2,000 psi
- Viscosities up to 1,000,000 cps
- Bench or fixture mounted
- 1cc – 70cc shot size
- Handles abrasive materials
- 1:1-10:1 preset ratio range

# PRODUCT SPECIFICATIONS



<b>MODEL</b>	BH RMP-210/310	<b>ACCURACY</b>	Within 1% of Shot
<b>PUMPS</b>	Positive Displacement AST Rod Metering Pumps	<b>RATIO RANGE</b>	1:1 – 10:1
<b>PUMP ROD SIZES</b>	¼" TO 5/8" Dia.	<b>VISCOSITY</b>	1cps – 1,000,000cps
<b>SHOT SIZE</b>	1cc – 70cc	<b>POWER FACTOR</b>	1:1 – 30:1
<b>DRIVE SYSTEM</b>	Pneumatic/Electric	<b>SUPPLY CONTAINER</b>	½ Gal. – 5 Gal.; Stainless steel pressure tanks
<b>CONTINUOUS OUTPUT</b>	Up to 70cc	<b>DISPENSING MANIFOLD</b>	Automatic fixed and/or hand held
<b>SHOT ADJUSTMENT</b>	0 – 100%	<b>CONTROLS</b>	Pneumatic standard Electrical optional
<b>CYCLE RATE</b>	Up to 20 Cycles per Minute		

**OPTIONS:**

- Pressure tanks
- Heated tanks
- Stainless steel
- PCC

**ADHESIVE SYSTEMS TECHNOLOGY CORP.**  
9000 Science Center Drive, New Hope, MN 55428  
Phone: 763-592-2060 • Fax: 763-592-2075  
www.ast-corp.net • ast@ast-corp.net