

PH GMP-200

METERING-MIXING OF HIGH VOLUME MATERIALS,
URETHANES, ELASTOMERS, FOAMS, SILICONES & EPOXIES

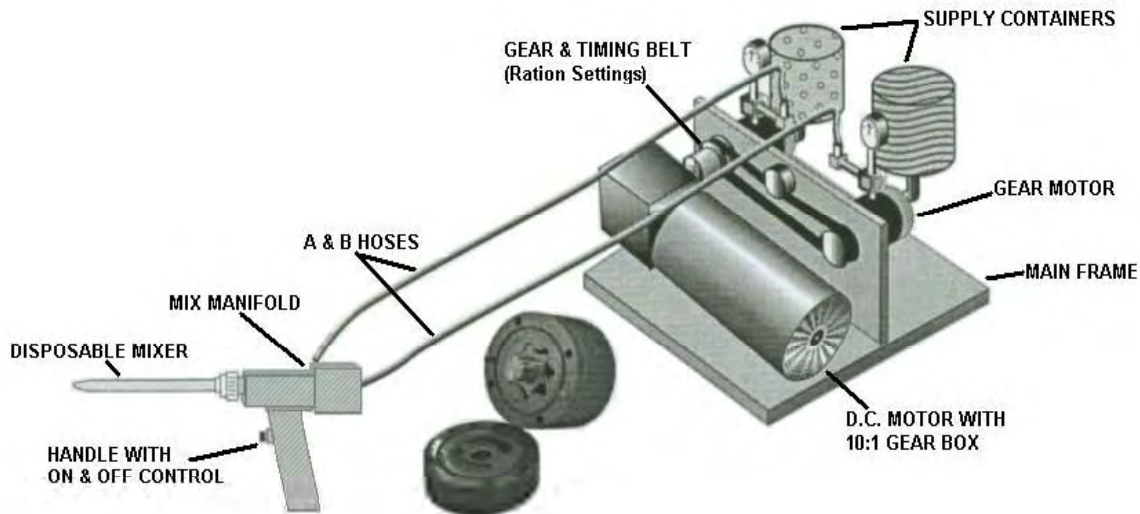


FEATURES AND BENEFITS

- Bench Mounted or Portable
- Uses AST GMP metering pump
- 0-100% by adjusting motoring speed
- Continuous flow up to 4 gpm
- Within 2% shot to shot accuracy
- 1:1 – 6:1 preset ratio range
- Viscosities up to 15,000 cps
- 9 gallon stainless steel tanks
- Automatic dispense valve
- Electric 2 HP DC variable speed:
110/220v, Pneumatic 80 psi
- Static or dynamic mixer

AST designs and manufactures a full line of standard and custom
meter-mix dispense machines and accessories.

PRODUCT SPECIFICATIONS



MODEL	Bench Mounted or Portable	PRESET RATIO RANGE	1:6 – 6:1
PUMPS	Positive Displacement AST Gear Metering Pumps	VISCOSITY	1cps – 30,000 cps
DRIVE SYSTEM	2 HP Electric	POWER FACTOR	5:1, 10:1, 20:1
SHOT RATE	4cc – 8.5oz per second	SUPPLY CONTAINERS	9 gallon stainless steel tanks
SHOT ADJUSTMENT	0-100% by adjusting motor speed	DISPENSING MANIFOLD	Fixed mounted or hand held; Automatic
CONTINUOUS OUTPUT	Up to 4.0 gpm	CONTROLS	Electric Variable Speed 110/220v, Pneumatic 80psi
ACCURACY	Within 2% shot to shot	HOSES	Teflon core braided stainless

- OPTIONS:**
- Foot Control
 - Material Temperature Control
 - Material Agitation
 - Pressurized Material Day Tanks
 - Material Low Level Sensors
 - Automatic Material Refill System
- Material Recirculation
 - Automatic Purge
 - Parts Counter
 - Variable Ratio
 - Electric Drive
 - Air Over Hydraulic
 - Material Transfer Pumps
- Additional Shot Sizes
 - Vacuum De-Air
 - PC Controllers
 - XYZ Motion
 - Automated Dispense Lines
 - Cure Ovens
 - Part Pallets

ADHESIVE SYSTEMS TECHNOLOGY CORP.
 9000 Science Center Drive • New Hope, MN 55428
 Ph: 763-592-2060 • Fx: 763-592-2075
 www.ast-corp.net • email: ast@ast-corp.net