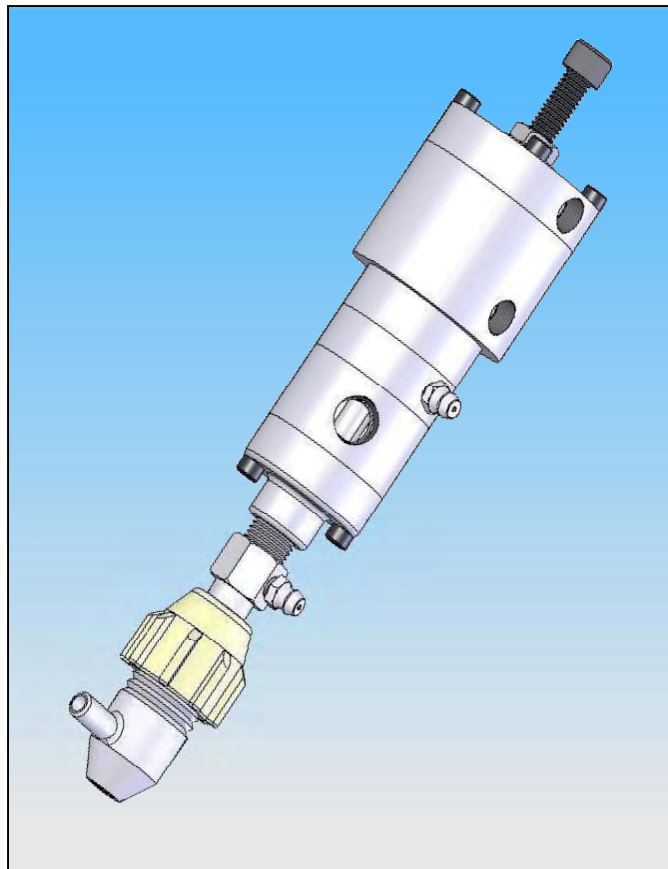


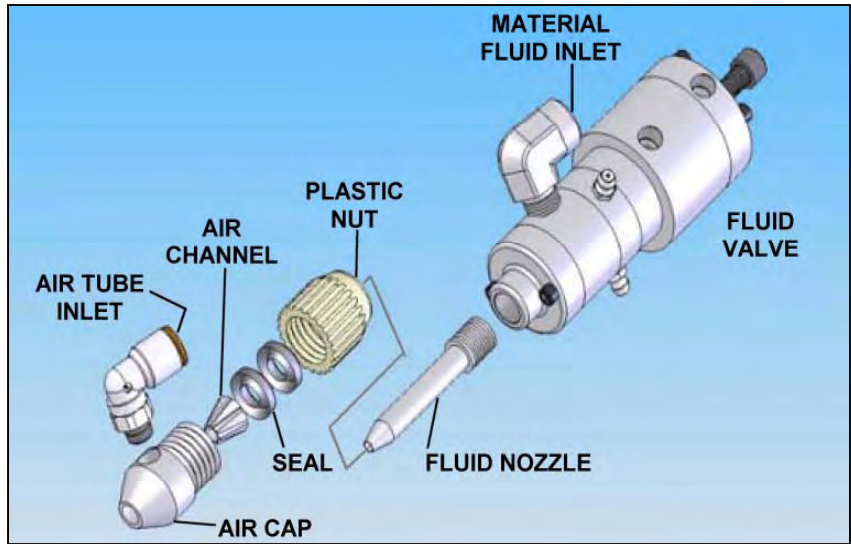
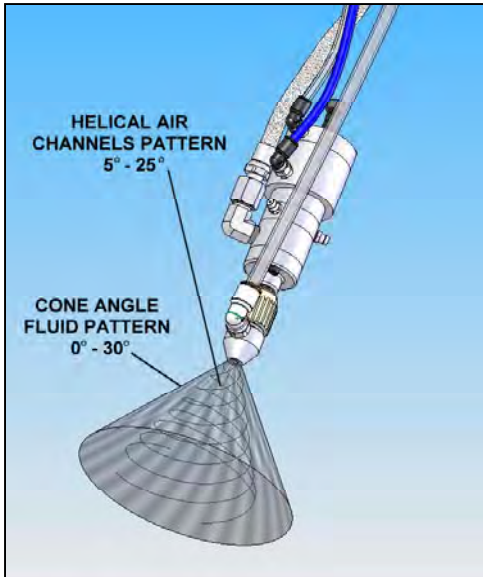
FLUID SPRAY/SPATTER VALVE APPLICATION SYSTEM



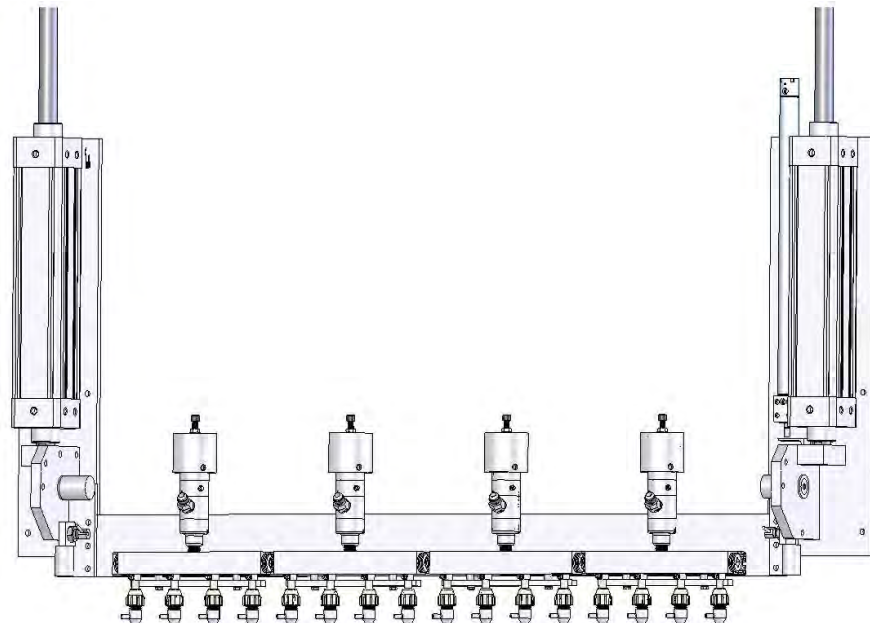
FEATURES AND BENEFITS

***PATENTED**

- Handles high viscosity materials
- Can be used in multi ported manifold
- Adjustable volume and pattern
- Urethanes, polyureas, epoxies and most other materials
- Hand held or fixture mounted
- Low over spray (cone pattern)
- Vertical application
- Disposable fluid sections
- Used with single and two part materials
- Heated Materials



Part Number	Fluid Inlet/Outlet	Nozzle-Air Channel	Special
55140 S	1/4" NPT	1/8" - 1/4" 5° to 25°	Manifold; 1" - 2"
55185 S	1/2" NPT	1/4" - 3/8" 5° to 25°	Manifold; 2" - 6"



OPTIONS: • Temperature control • Manifold assemblies • Complete turn key systems

ADHESIVE SYSTEMS TECHNOLOGY CORP.
9000 Science Center Drive, New Hope, MN 55428
Phone: 763-592-2060 • Fax: 763-592-2075
www.ast-corp.net • ast@ast-corp.net