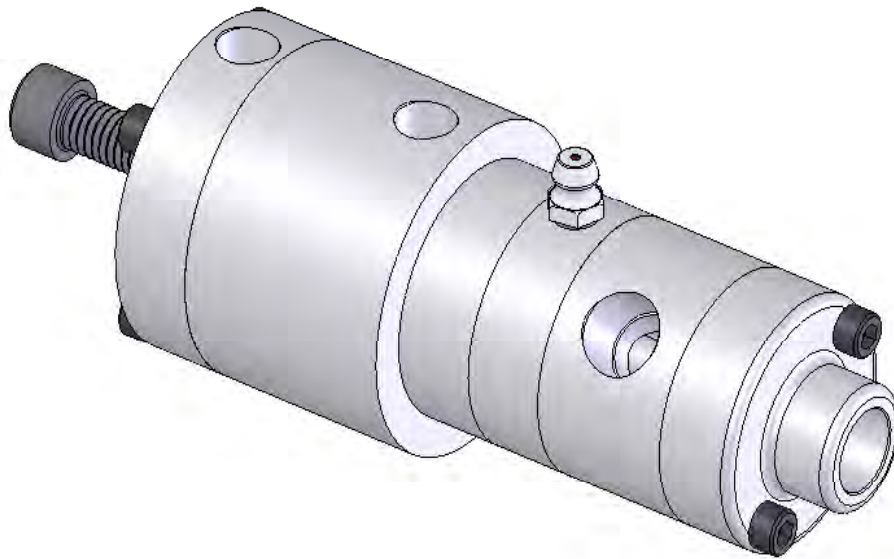


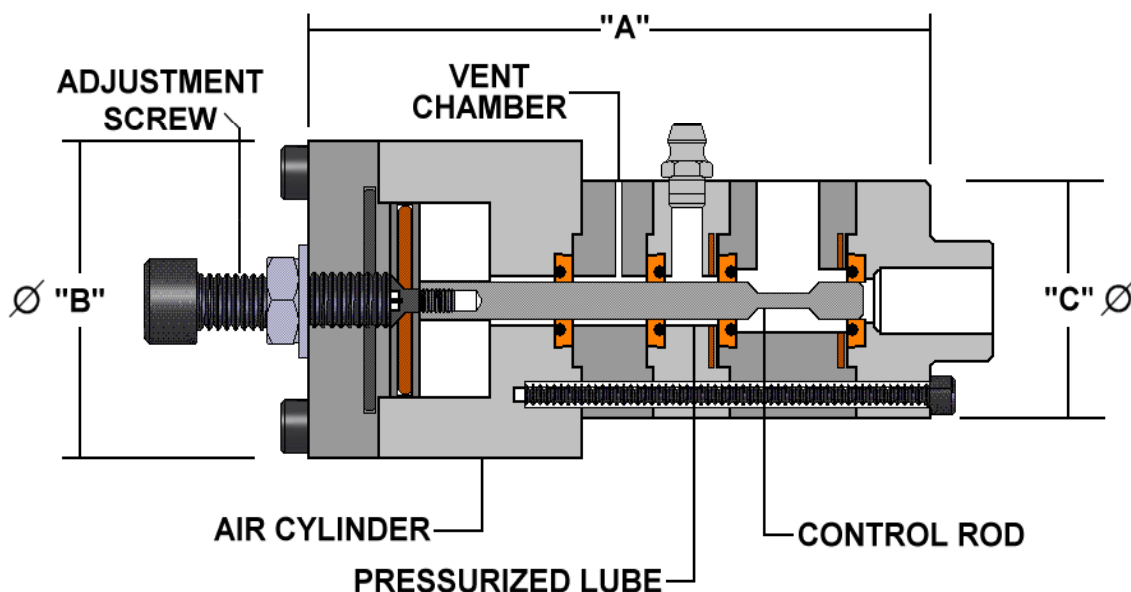
## **AUTOMATIC SNUFF-BACK DISPENSE VALVE**



### **FEATURES AND BENEFITS**

- Reliable, simple rugged valve
- No-drip reverse seating valve
- Pressure lube pack for longer seal life
- Pneumatic operated/ air to open/close
- Quick, easy fixture mounted and/or hand-held
- Adjustable snuff-back
- 1 cps to 2,500,000 cps materials
- Stainless steel optional
- Simple-modular design

## VALVE CROSS-SECTION



## VALVE TECHNICAL DATA

DESCRIPTION	55140	55185	55498	55649
INLET PORT	¼" NPT F	½" NPT F	1/8" NPT F	½" NPT F
OUTLET PORT	¼" NPT F	½" NPT F	1/8" NPT F	½" NPT F
ROD DIAMETER	¼"	½"	3/16"	½"
WORKING PRESSURE	2,500 PSI	2,500 PSI	2,500 PSI	2,500 PSI
SEALS/ O-RINGS	URETHANE, UHMW, EPDM, VITON, & SILICONE			
A	5-15/16"	8-5/8"	3-5/8"	8-½"
B	2" DIA.	2-½" DIA.	1-3/8" DIA.	3" DIA.
C	1-½" DIA.	2" DIA.	1-½" DIA.	2" DIA.