



**ADHESIVE SYSTEMS
TECHNOLOGY CORP**

**METER-MIX DISPENSE
EQUIPMENT**

PCH RMP-624 BRUTE



APPLICATIONS

- Crack Injection
- Large Joint Sealing
- Large Spall Repair
- Anchoring
- Large Joint Filling
- Concrete Restoration

FEATURES AND BENEFITS

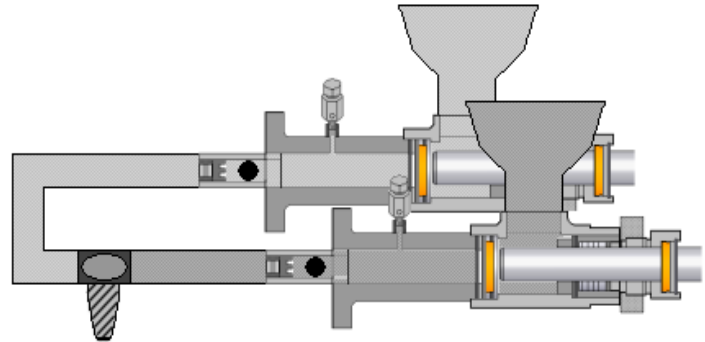
- Uses AST RMP metering pump
- Urethanes, epoxies and polyureas
- Fixed ratio of 1:1 to 4:1
- 8 gallon stainless steel tanks
- Applicator machine mounted or hand held
- Variable flow rate
- Stainless steel construction
- Portable
- Reliable, rugged design
- Pneumatic operated
- Pumps abrasive materials
- Viscosity to 500,000 cps
- Continuous flow up to 1 gpm
- Fluid pressures up to 2,000 psi
- Disposable mixer
- Easy to operate and maintain

ADHESIVE SYSTEMS TECHNOLOGY • 9000 SCIENCE CENTER DRIVE, NEW HOPE, MN 55428
PHONE: 763-592-2060 • FAX: 763-592-2075 • WWW.AST-CORP.NET • AST@AST-CORP.NET

PRODUCT SPECIFICATIONS

Applications for the RMP Brute using non-abrasive polyureas, epoxies and urethanes include:

- Large Joint Sealing
- Large Spall Repair
- Anchoring
- Joint Filling
- Concrete Restoration
- Floor Coating



MODEL	PCH RMP-624, 824, 1024	METERING PUMPS	AST RMP rod pumps, positive displacement; meter mounted either horizontally or vertically
MACHINE TYPE	Fixed ratio/metering/dispensing Rod Metering Pumps with changeable ratio	PUMP SIZES	Up to 1-1/2" Dia. x 6" stroke; max 4" pump stroke plus 2" recharge
CONTINUOUS OUTPUT	Up to 1.0 gpm, dependent on viscosity & temperature	DRIVE SYSTEM	AST 6"-8"-10" Dia. X 6"-9" stroke
RATIO RANGE	Standard fixed ratios from 1:1 to 4:1; other ratios available	MIXER	Disposable, plastic, static
VISCOSITY RANGE	Up to 500,000 cps	SHOT SIZE ADJUSTMENT	0-100% of full stroke
CONTAINERS	9 gallons each side, stainless steel, 16 gauge; gasket sealed with 3 clamps per side	CONTROLS	On/Off, pressure regulation
ACCURACY	Within 2%, shot to shot	SERVICES REQUIRED	Clean, dry, compressed air at 90 psi; up to 10 cfm
CYCLE RATE	Up to 30 cycles per minute	APPLICATORS	AST hand held or extension; manual (automatic optional)
DIMENSIONS	36" W x 26" L x 33" H; 250 lbs.	OPTIONS	Heated tanks Hose size & length 9" stroke Spray head; air compressor
POWER FACTOR	10:1-30:1 intensification		

ADHESIVE SYSTEMS TECHNOLOGY CORP.
9000 Science Center Drive, New Hope, MN 55428
Phone: 763-592-2060 • Fax: 763-592-2075
www.ast-corp.net • ast@ast-corp.net