



**ADHESIVE SYSTEMS
TECHNOLOGY CORP**

METER-MIX DISPENSE EQUIPMENT

PCH NF RMP-624 MINI BRUTE



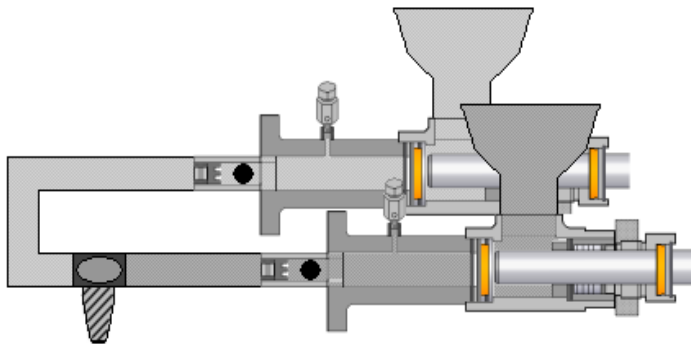
APPLICATIONS

- Crack Injection
- Joint Filling
- Small Joint Sealing
- Small Spall Repair
- Anchoring
- Concrete Restoration

FEATURES AND BENEFITS

- Portable
- Reliable, rugged design
- Easy to operate and maintain
- Stainless steel construction
- Uses AST RMP rod metering pump
- 5 gallon stainless steel tanks
- Automatic dispense manifold
- Pneumatic powered
- Pumps abrasive materials
- Backed by AST warranty
- Frameless design
- Flow up to .6 gpm
- Fluid pressures up to 2,000 psi
- Viscosities up to 100,000 cps
- Fixed ratios of 1:1 to 5:1
- Variable flow rate

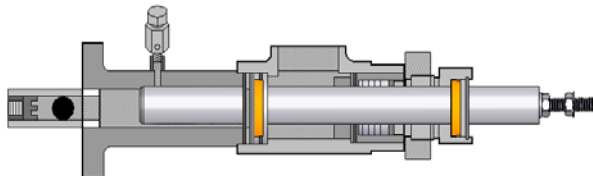
PRODUCT SPECIFICATIONS



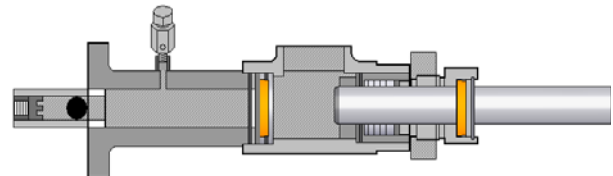
Applications for the Mini-Brute using non-abrasive polyureas, epoxies and urethanes include:

- Small Joint Sealing
- Small Spall Repair
- Anchoring
- Joint Filling
- Concrete Restoration
- Crack Injection

DISPENSING



RECHARGING



MODEL	PCH NF RMP-624	STANDARD CONTROLS	Pneumatic; variable speed
MACHINE TYPE	Fixed ratio/metering/dispensing RMP rod	SERVICES REQUIRED	90 PSI, 6 cfm
CONTINUOUS OUTPUT	Up to 0.6 gpm	SHOT SIZE ADJUSTMENT	0-100% of full stroke
RATIO RANGE	1:1 TO 5:1	APPLICATORS	AST hand held' automatic dual port manifold
VISCOSITY RANGE	1 CPS to 100,000 cps	MIXER	Disposable, plastic, motionless
CONTAINERS	5 gallons each side, stainless steel, 16 gauge	HOSES	Teflon core braided stainless steel 3/8" x 15'
METERING PUMPS	(2) heavy duty AST RMP Rod Metering Pumps	OPTIONS	Automatic dispense valve Heated tanks Pressurized tanks Ratio verification Product level indication
GAUGES	(2) glycerin filled 1,000 psi		
DIMENSIONS	150 lbs. Empty, shipping weight 215 lbs.		

ADHESIVE SYSTEMS TECHNOLOGY CORP.
9000 Science Center Drive, New Hope, MN 55428
Phone: 763-592-2060 • Fax: 763-592-2075
www.ast-corp.net • ast@ast-corp.net