



**ADHESIVE SYSTEMS  
TECHNOLOGY CORP**

## **METER-MIX DISPENSE EQUIPMENT**

**METERING & DISPENSING EQUIPMENT FOR THE PROFESSIONAL CONTRACTOR**

# **PCH GMP-050 "PRO"**



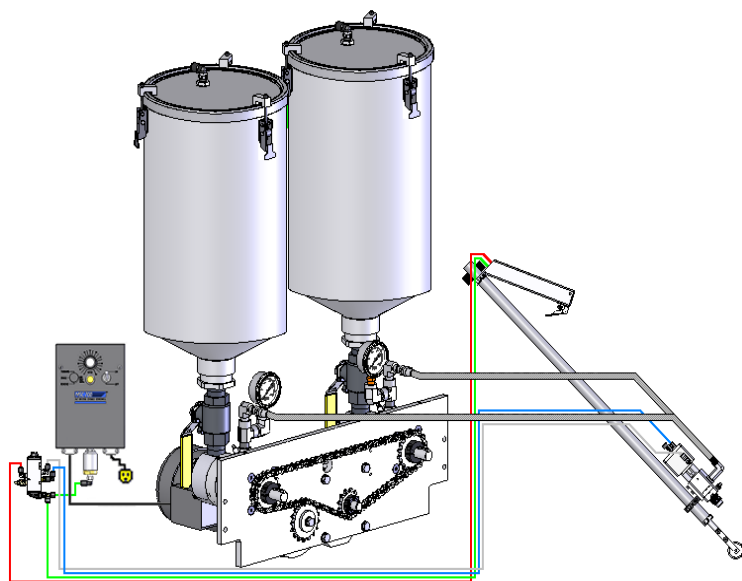
## **APPLICATIONS**

- **Joint Filling**
- **Concrete Restoration**
- **Small Joint Sealing**
- **Small Spall Repair**
- **Anchoring**
- **Spray**

## **FEATURES AND BENEFITS**

- **Portable, Reliable, Rugged Design**
- **Easy to Operate & Maintain**
- **Stainless Steel Construction**
- **Changeable Ratios**
- **9 Gallon Stainless Steel Tanks**
- **½ HP DC Drive Motor**
- **Automatic or Manual Dispense Valve**
- **Electric/pneumatic Powered**
- **Backed by AST Warranty**
- **Pumps Non-Abrasive Materials**
- **Fixed Ratios of 1:1 to 4:1**
- **Continuous Flow Up to 0.5 GPM**
- **Fluid Pressures Up to 750 PSI**
- **Viscosities Up to 5,000 CPS**
- **Variable Flow Rate**
- **Uses AST GMP Metering Pumps**

## PRODUCT SPECIFICATIONS



**Applications for the GMP-050 using non-abrasive polyureas, epoxies and urethanes include:**

- Small Joint Sealing
- Small Spall Repair
- Anchoring
- Joint Filling
- Concrete Restoration
- Spray

<b>MODEL</b>	PCH GMP-050	<b>AIR DRYER</b>	Desiccant cartridge
<b>MACHINE TYPE</b>	Fixed ratio/metering/ dispensing GMP gear	<b>GAUGES</b>	(2) glycerin filled 600 psi
<b>CONTINUOUS OUTPUT</b>	Up to 0.75 gallons per minute	<b>STANDARD CONTROLS</b>	On/Off; variable speed
<b>RATIO RANGE</b>	1:1 to 4:1	<b>SERVICES REQUIRED</b>	120 V. / 15 AH, 5 AMP 90 psi, 2 cfm
<b>VISCOSITY RANGE</b>	100 CPS to 7,500 CPS	<b>APPLICATORS</b>	AST hand held; manual or automatic dual port manifold
<b>CONTAINERS</b>	9 gallons each side, stainless steel, 16 gauge	<b>MIXER</b>	Disposable, plastic, motionless
<b>MOTOR</b>	.5 HP D, 90 volt	<b>HOSES</b>	Teflon core braided stainless steel 3/8" x 15'
<b>METERING PUMPS</b>	(2) heavy duty AST GMP gearotor™	<b>OPTIONS</b>	Heated tanks Power inverter Generator mount Air purge Factory installed aspirator Spray assembly
<b>DIMENSIONS</b>	36" L x 30" W x 40" H 200 lbs. empty, shipping weight 250 lbs.		
<b>FRAME</b>	1½ powder coated tubular steel		

**ADHESIVE SYSTEMS TECHNOLOGY CORP.**  
9000 Science Center Drive, New Hope, MN 55428  
Phone: 763-592-2060 • Fax: 763-592-2075  
www.ast-corp.net • ast@ast-corp.net