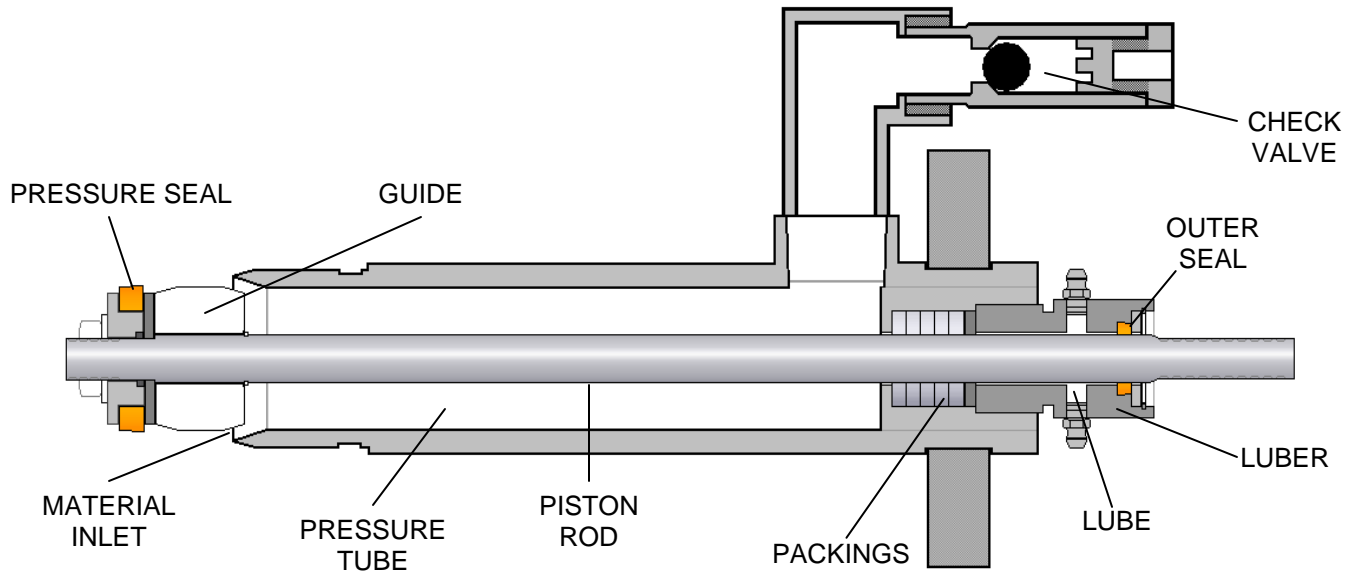




**ADHESIVE SYSTEMS  
TECHNOLOGY CORP**

## **METER-MIX DISPENSE EQUIPMENT**

# **BASIC CONCEPT OF CMP™ METER**



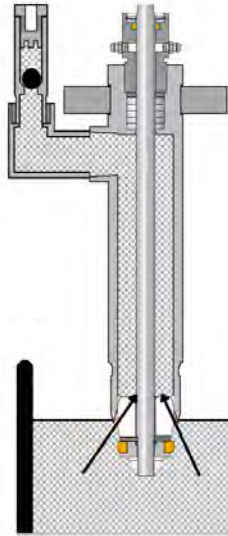
### **CMP™ FEATURES:**

- Positive displacement metering
- Modular concept to allow for system design and application
- Fixed ratio with quick ratio change in multiples from 1:1 to 4:1
- Power drive can be air, hydraulic or electric
- Low shear metering design
- Exclusive lube pack
- Interchangeable fluid section
- Ratio check and air purge valves
- Interphases with control panel or microprocessor

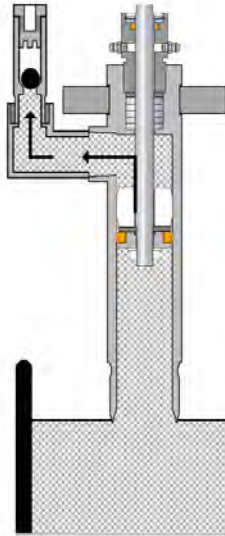
### **CMP™ BENEFITS:**

- Precise ratios and metering
- Allows regulation of both fluid pressure and flow to application requirements
- Design capabilities enable use of a wide range of volumes and ratios (Ex: 5 cc to 1/2 gal per stroke)
- Enables system to handle shear sensitive materials (Ex: glass balloons)
- Quick material check and positive air removal
- Ideal for moisture sensitive materials
- Quick, easy and inexpensive to rebuild or replace
- Cycle rates adjustable up to 60 per minute

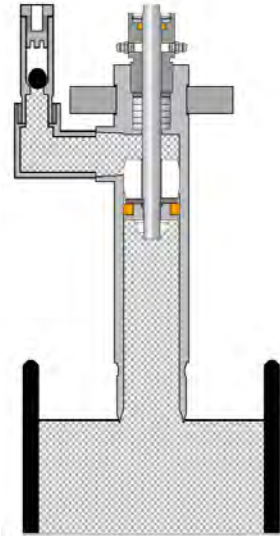
## RECHARGING



## DISPENSING

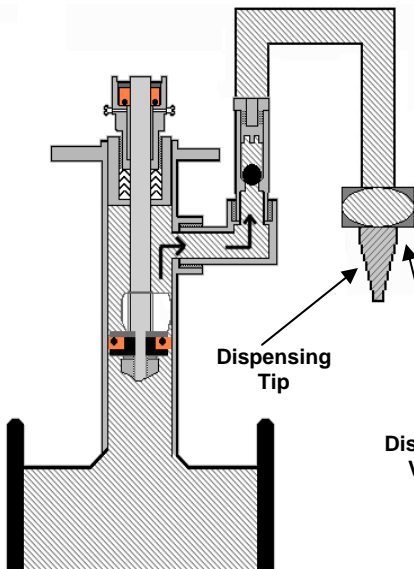


## EXTENDING

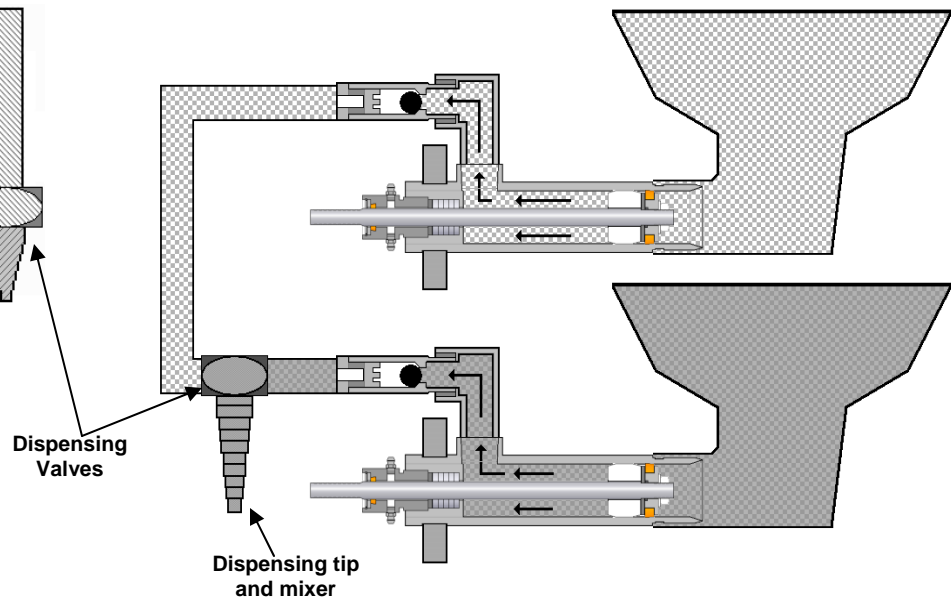


## TYPICAL APPLICATIONS

### SINGLE COMPONENT DISPENSING



### TWO COMPONENT DISPENSING & MIXING



**NOTE:**

Meters may be ganged for multi component materials or application points if required.

A variety of dispense head valves and controls are available to fit specific tasks either on production line or for portable applications.

**ADHESIVE SYSTEMS TECHNOLOGY CORP.**  
9000 Science Center Drive, New Hope, MN 55428  
Phone: 763-592-2060 • Fax: 763-592-2075  
www.ast-corp.net • ast@ast-corp.net